

Q711

8MP (2x4MP) Deep Learning AI LightGuard Outdoor 2-Sensor Dome with IR LED 50m, WDR 120dB



- 8 Megapixel, f2.8mm, 2-Sensor Dome
- Deep Learning AI, LightGuard
- IR LED 50m, Superior WDR (120 dB)
- Color Min. Illumination 0.003 lux
- Smart Motion Detection, Smart Intrusion Protection
- Counting
- DORI (63 / 25.2 / 12.6 / 6.3m)
- Weatherproof (IP68), Vandal proof (IK10)

Specifications

Product Profile

Product Type	2-Sensor Dome
Application Environment	Outdoor
Maximum Resolution	8MP
Image Sensor	Progressive Scan CMOS (4MP x2)
Sensor Size	1/2.7 "
Day / Night	Yes
Low Light Sensitivity	Extreme
LightGuard	Yes
Minimum Illumination	Color: 0.003 lux at F1.6 (AGC on); B/W: 0 lux (IR LED on)
Mechanical IR Cut Filter	Yes
IR LED	Adaptive IR LED (850 nm)
IR Working Distance	50m
Electronic Shutter	1-1/100000 second (manual mode); 1-1/100000 second (auto mode)
S/N Ratio	75 dB

Lens

Number of Lenses	2 Lenses
Focal Length	Fixed focal, f2.8mm
Aperture	F1.6
Iris	Fixed iris
Horizontal Viewing Angle	97.68°
Vertical Viewing Angle	52.67°
Viewing Angle Adjustment	Pan: 0°-180°, Tilt: 0°-66°, Rotation: 0°-346°

Video

Compression	H.265 Adaptive Stream, H.264 Adaptive Stream, MJPEG
Maximum Frame Rate vs. Resolution	25 fps at 2688 x 1520 25 fps at 2560 x 1440 30 fps at 2304 x 1296 30 fps at 1920 x 1080 30 fps at 1280 x 720 30 fps at 720 x 576 30 fps at 640 x 360 30 fps at 704 x 288 30 fps at 352 x 288
View Mode	Single Channel Two Channels (Left/Right, Top/Bottom)
Multi-Streaming	Simultaneous triple streams
Digital Noise Reduction	2D + 3D DNR
Wide Dynamic Range	Superior WDR (120 dB)
Image Orientation	Flip, Mirror, Rotation (Corridor mode)(±90°, 180°)
Image Enhancement	White Balance, Backlight compensation (BLC), Highlight compensation (HLC)
Privacy Mask	4 configurable regions
Text Overlay	Yes
Video Stitching	No
Built-in Analytics	Smart Motion Detection (People Detection, Vehicle Detection), Smart Intrusion Protection, People Detection, Vehicle Detection, People Line Crossing Detection, People Enter Area Detection, People Exit Area Detection, Vehicle Line Crossing Detection, Vehicle Enter Area Detection, Vehicle Exit Area Detection, People Flow Counting, People Density Counting, Face Capture, Tampering Detection

Analytics

Deep Learning AI	2.0
------------------	-----

Audio

Audio Type	2-way, Built-in Microphone, Line-in, Line-out
Audio Compression	G.711

Network

Ethernet Port	1 x Ethernet (10/100 Base-T), RJ-45 connector
Maximum User Connections	32

Detection Range

Observation Range	Detection: 63m Observation: 25.2m Recognition: 12.6m Identification: 6.3m
-------------------	---

Event

Event Trigger	Video motion detection, Sound detection, Tampering detection, Intelligent event detection, Sound detection,
---------------	---

Integration

ONVIF Compliant	Yes, Profile S, Profile G, Profile T
Web Browser	IE 11, Google Chrome, Microsoft Edge, Firefox

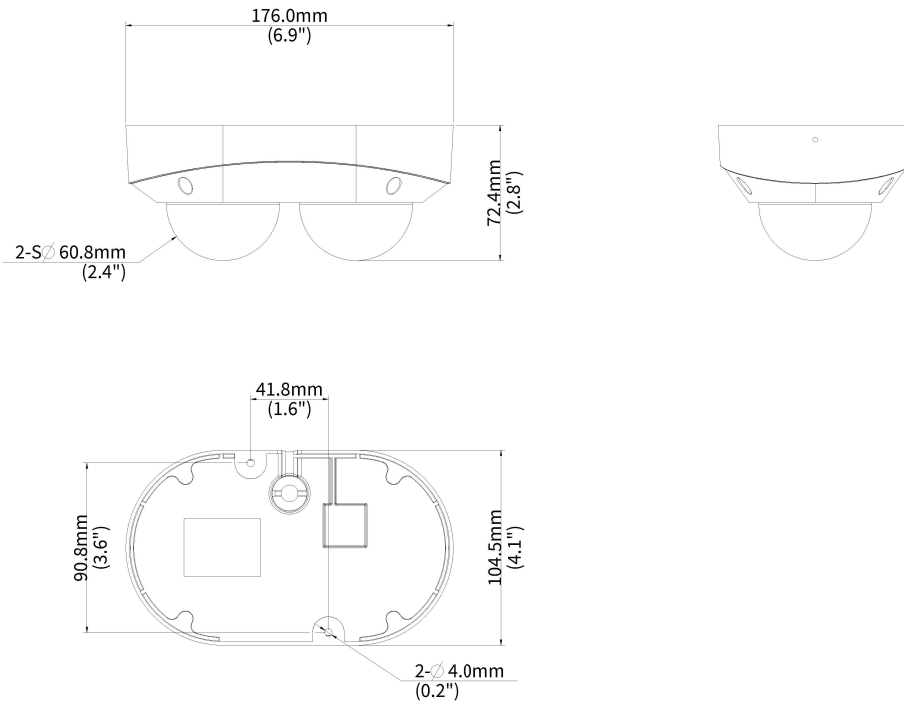
Interface

Audio Interface	1/1, Cable with Terminal block, Built-in microphone x2
Digital Input/Output	1/1
Operating Button	Reset Button

General

Power Source	DC 12V, PoE (IEEE802.3af)
Power Consumption	9.1 W (PoE)
Dimensions	(L x W x H): 176mm x 104mm x 72mm (6.9" x 4.1" x 2.8")
Environmental Casing	Weatherproof (IP68), Vandal proof (IK10)
Operating Temperature	-30°C ~ 60°C (-22°F ~ 140°F)
Operating Humidity	≤95% RH, non-condensing
Surge Protection	4KV
Material	Metal

Dimension Diagram



Unit: mm [inch]

Related Products

Mounting Accessories - Camera Mount

PMAX-0368



Wall Mount with Built-in Junction Box (for Q711).

Note: Some mounting accessories may need additional accessories for installation. Please check www.acti.com/mountingselector for more information.