

Z953

8MP Deep Learning AI 40x Outdoor PTZ with IR LED 250m, WDR 145dB



- 8 Megapixel, 40x, PTZ
- Deep Learning AI
- 1/1.8" Sensor, IR LED 250m, Extreme WDR (145 dB)
- Color Min. Illumination 0.003 lux
- PTZ Auto Tracking, 360° endless
- Counting
- DORI (155.5-4829.4 / 62.2-1931.8 / 31.1-965.9 / 15.5-482.9m)
- Weatherproof (IP66)

► Specifications

Product Profile

Product Type	PTZ
Application Environment	Outdoor
Maximum Resolution	8MP
Image Sensor	Progressive Scan CMOS
Sensor Size	1/1.8 "
Day / Night	Yes
Low Light Sensitivity	Extreme
Minimum Illumination	Color: 0.003 lux at F1.5 (AGC on); B/W: 0 lux (IR LED on)
Mechanical IR Cut Filter	Yes
IR LED	Adaptive IR LED (850 nm)
IR Working Distance	250m
Electronic Shutter	1-1/100000 second (manual mode); 1-1/100000 second (auto mode)
S/N Ratio	75 dB

Lens

Focal Length	Zoom, f5.7-228mm
--------------	------------------

Aperture	F1.2-F4.6
Zoom Ratio	40x optical zoom, 16x digital zoom
Iris	Auto iris
Focus	Auto focus
Horizontal Viewing Angle	61.4° - 2.15°
Vertical Viewing Angle	38.8° - 1.43°

PTZ

Preset Panning / Tilting Speed	300°/second, 180°/second
Panning Range	360° endless
Tilting Range	-15°~90° (with E-flip)
PTZ Control	1024 preset points

Video

Compression	H.265 Adaptive Stream, H.264, MJPEG
Maximum Frame Rate vs. Resolution	30 fps at 3840 x 2160 30 fps at 1920 x 1080 30 fps at 720 x 576 30 fps at 640 x 360
Bit Rate	128Kbps - 16Mbps
Multi-Streaming	Simultaneous triple streams
Digital Noise Reduction	2D + 3D DNR
Wide Dynamic Range	Extreme WDR (145 dB)
Image Enhancement	Backlight compensation (BLC), Digital Image Stabilizer (DIS, EIS), Defogging, White Balance
Privacy Mask	24 configurable regions
Text Overlay	Yes
Built-in Analytics	People Flow Counting, People Density Counting, Crowd Detection, Tampering Detection, PTZ Auto Tracking, Object Line Crossing Detection, Object Enter Area Detection, Object Exit Area Detection, Intrusion Detection (Forbidden Area Detection)

Analytics

Deep Learning AI	2.0
------------------	-----

Audio

Audio Type	2-way
Audio Compression	G.711 u-law, G.711 A-law

Network

Network Protocol & Service	IPv4, ARP, IGMP, ICMP, DHCP, DDNS, DNS, HTTP, HTTPS, FTP, IEEE 802.1X, NTP, PPPoE, QoS, RTP, TCP, RTSP, RTCP, UPnP, UDP, SMTP, SNMP, RTMP, SSL/TLS
Ethernet Port	1 x Ethernet (10/100 Base-T), RJ-45 connector
Security	HTTPS encryption, Password protected user level

Detection Range

Observation Range	Detection: 155.5m-4829.4m Observation: 62.2m-1931.8m Recognition: 31.1m-965.9m Identification: 15.5m-482.9m
-------------------	---

Integration

ONVIF Compliant	Profile S, Profile G, Profile T
Web Browser	Microsoft Internet Explorer, Google Chrome, Firefox

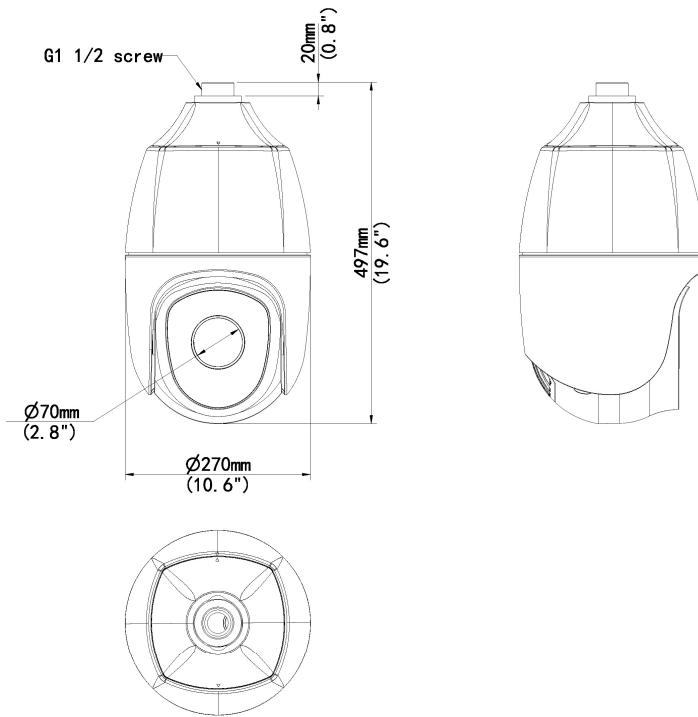
Interface

Serial Port	1 x RS-485
Digital Input/Output	7/2
Operating Button	Reset Button

General

Power Source	DC 24V, AC 24V, High PoE (IEEE802.3bt)
Power Consumption	61 W (PoE)
Weight	9690g (21.36lb)
Dimensions	(Ø x H): 270mm x 497mm (10.6" x 19.5")
Environmental Casing	Weatherproof (IP66)
Operating Temperature	-40°C ~ 70°C (-40°F ~ 158°F)
Operating Humidity	≤95% RH, non-condensing
Surge Protection	6KV
Approvals	CE, FCC
Warranty	2 Year(s). For extended warranty offering, see http://www.acti.com/support/warranty






▶ Dimension Diagram



Unit: mm [inch]

▶ Related Products

Mounting Accessories - Camera Mount

PMAX-0115		Pendant Mount (for A950, A951, A952, A956, Z950, Z952)
PMAX-0116		Straight Tube, 200 mm (for Z950)
PMAX-0117		Straight Tube (for Z950, Z952)
PMAX-0351		Wall Mount (for Z953, K95X, Q84)
PMAX-0358		Parapet Wall Mount (for Z95X, Q84).
PMAX-0404		Corner Mount (for Z950, Z952)
PMAX-0513		Pole Mount (for Z950, Z952)

PMA-0711



Junction box (for Z950, Z952)

PMA-1403



Ceiling Mount (for Z950, Z952)

Note: Some mounting accessories may need additional accessories for installation. Please check www.acti.com/mountingselector for more information.

Power Supply Accessories - PoE Injector

PPOE-0201



High PoE Injector Single-port, IEEE 802.3bt Type 4, Gbps, 90W 4-Pairs POE indoor midspans, AC 100~240V, with universal connectors (for Z954, Q83)

PPOE-0202



High PoE injector 90Watt 10/100/1000M/Multi Gigabit PoE Injector (for A952, A956, Z953, Z954, Q83, Q84)