

# Z959

## 4MP 16x Outdoor PTZ with IR LED 120m, WDR 145dB



- 4 Megapixel, 16x, PTZ
- IR LED 120m, Extreme WDR (145 dB)
- Color Min. Illumination 0.003 lux
- PTZ Auto Tracking, 360° endless
- DORI (127.6-2048.4 / 51.0-819.4 / 25.5-409.7 / 12.8-204.8m)
- Weatherproof (IP66), Vandal proof (IK10), UL Listed

### ► Specifications

#### Product Profile

Product Type	PTZ
Application Environment	Outdoor
Maximum Resolution	4MP
Image Sensor	Progressive Scan CMOS
Sensor Size	1/2.7 "
Effective Pixels	2880(H) X 1620(V)
Day / Night	Yes
Low Light Sensitivity	Extreme
Minimum Illumination	Color: 0.003 lux at F1.78 (AGC on); B/W: 0 lux (IR LED on)
Mechanical IR Cut Filter	Yes
IR LED	Adaptive IR LED (850 nm)
IR Working Distance	120m
Electronic Shutter	1-1/100000 second (manual mode); 1-1/100000 second (auto mode)
S/N Ratio	75 dB

**Lens**

Focal Length	Zoom, f5.5-88mm
Aperture	F1.78-F3.73
Zoom Ratio	16x optical zoom
Iris	DC iris
Horizontal Viewing Angle	50.85° - 3.47°
Vertical Viewing Angle	29.94° - 1.95°

**PTZ**

Preset Panning / Tilting Speed	0.1° - 240°/second, 0.1° - 120°/second
Panning Range	360° endless
Tilting Range	-5°~90° (with E-flip)
PTZ Control	Remote manual control, Speed Control, Drag to Pan and Tilt, 1024 preset points, 16 preset tours
Absolute Position	Yes

**Video**

Compression	H.265 Adaptive Stream, H.264, MJPEG
Maximum Frame Rate vs. Resolution	30 fps at 2688 x 1520 30 fps at 1280 x 720 30 fps at 640 x 360
Multi-Streaming	Simultaneous dual streams
Digital Noise Reduction	2D + 3D DNR
Wide Dynamic Range	Extreme WDR (145 dB)
Image Orientation	Flip, Mirror
Image Enhancement	White Balance, Backlight compensation (BLC), Highlight compensation (HLC), Defogging
Privacy Mask	24 configurable regions
Text Overlay	Yes
Built-in Analytics	People Detection, Vehicle Detection, Object Line Crossing Detection, Intrusion Detection (Forbidden Area Detection), Tampering Detection, PTZ Auto Tracking

**Audio**

Audio Type	2-way, Line-in, Line-out
Audio Compression	G.711 u-law, G.711 A-law

**Network**

Network Protocol & Service	IPv4, IPv6, TCP, UDP, DHCP, PPPoE, HTTP, HTTPS, DNS, DDNS, NTP, RTP, RTSP, RTCP, RTMP, SMTP, FTP, IGMP, ICMP, ARP, UPnP, SNMP, QoS, SSL/TLS, TLS 1.2
Ethernet Port	1 x 100M/1000M, RJ-45 connector
Maximum User Connections	32
Security	IP address filtering, HTTPS encryption, Password protected user level

## Detection Range

Observation Range	Detection: 127.6m-2048.4m Observation: 51.0m-819.4m Recognition: 25.5m-409.7m Identification: 12.8m-204.8m
-------------------	--

## Event

Event Trigger	Video motion detection (4 regions), External device through digital input, Sound detection, Tampering detection
---------------	---

## Integration

Edge Recording	Support (integration with NVR by ONVIF Profile G)*
ONVIF Compliant	Yes, Profile S, Profile G, Profile T, Profile M
Web Browser	IE 11, Microsoft Edge, Google Chrome, Firefox

## Interface

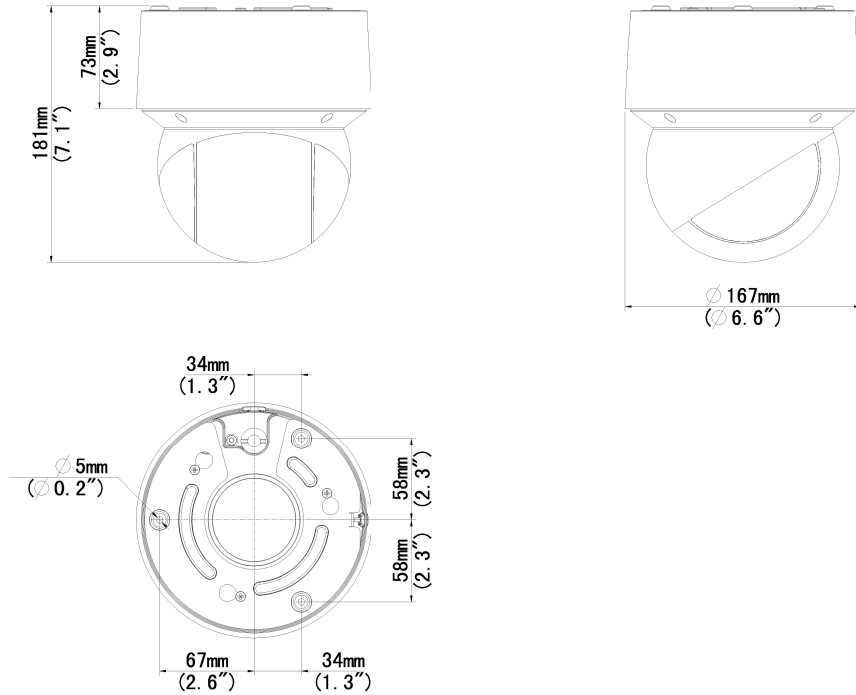
Serial Port	1 x RS-485
Digital Input/Output	2/1
Operating Button	Reset Button

## General

Power Source	DC 12V, High PoE (IEEE802.3at)
Power Consumption	23 W (PoE)
Weight	2900g (6.39lb)
Dimensions	(Ø x H): 167mm x 181mm (6.6" x 7.1")
Environmental Casing	Weatherproof (IP66), Vandal proof metal casing (IK10)
Corrosion Protection	Optional for project request. Chassis corrosion resistance at the seashore approximately 3 years.
Operating Temperature	-40°C ~ 65°C (-40°F ~ 149°F)
Surge Protection	6KV
Approvals	CE Class A, FCC Class A, IP66, IK10 (metal casing), UL Listed
Warranty	2 Year(s). For extended warranty offering, see <a href="http://www.acti.com/support/warranty">http://www.acti.com/support/warranty</a>

Edge Recording function is integrated with NVR 3 Corporate / NVR 3 Business / INR / GNR series.

## ▶ Dimension Diagram



Unit: mm [inch]

## ▶ Related Products

### Mounting Accessories - Camera Mount

PMAX-0115		Pendant Mount (for A950, A951, A952, A956, Z950, Z952)
PMAX-0116		Straight Tube, 200 mm (for Z950)
PMAX-0117		Straight Tube (for Z950, Z952)
PMAX-0322		Wall mount (for Z950, Z952)
PMAX-0404		Corner Mount (for Z950, Z952)
PMAX-0513		Pole Mount (for Z950, Z952)
PMAX-0711		Junction box (for Z950, Z952)

PMA-0733



Junction box for Z959.

PMA-1036



Flush Mount (for Z959)

PMA-1406



Mount Kit (for Z959)

**Note:** Some mounting accessories may need additional accessories for installation. Please check [www.acti.com/mountingselector](http://www.acti.com/mountingselector) for more information.

## Power Supply Accessories - PoE Injector

PPOE-0107



High PoE Injector IEEE 802.3at compliant, AC 100~240V, with universal connectors (for A416, A418, B913, B923, B934, Q450, Q75, VMGB-60X, Z37, Z71, Z952)