

# Y31

## 2MP f2.8mm Analog Bullet with IR LED 30m, WDR 130dB



- 2 Megapixel, f2.8mm, Analog Bullet
- IR LED 30m, Extreme WDR (130 dB)
- DORI (41.5 / 16.7 / 8.3 / 4.1m)
- Weatherproof (IP67)

## ► Specifications

### Product Profile

Product Type	Analog Bullet
Application Environment	Outdoor
Maximum Resolution	2MP
Image Sensor	Progressive Scan CMOS
Sensor Size	1/3 "
Day / Night	Yes
Low Light Sensitivity	Extreme
Minimum Illumination	Color: 0.02 lux at F2.0 (AGC on); B/W: 0 lux (IR LED on)
Mechanical IR Cut Filter	Yes
IR LED	IR LED
IR Working Distance	30m
Electronic Shutter	1/30-1/50000 second (NTSC), 1/25-1/50000 second (PAL)

### Lens

Focal Length	Fixed focal, f2.8mm
Aperture	F2.0

Iris	Fixed iris
Focus	Fixed focus
Lens Mount	Board mount
Horizontal Viewing Angle	90.5°
Vertical Viewing Angle	49.6°

### Video

Maximum Frame Rate vs. Resolution	(TVI/AHD/CVI) 30 fps at 1920 x 1080 (CVBS) NTSC, PAL
Digital Noise Reduction	DNR
Wide Dynamic Range	Extreme WDR (130 dB)
Image Orientation	Flip
Image Enhancement	White Balance

### Network

Ethernet Port	No
---------------	----

### Detection Range

Observation Range	Detection: 41.5m Observation: 16.7m Recognition: 8.3m Identification: 4.1m
-------------------	--

### Interface

Analog Video Output	1 x BNC connector, TVI/AHD/CVI/CVBS
---------------------	-------------------------------------

### General

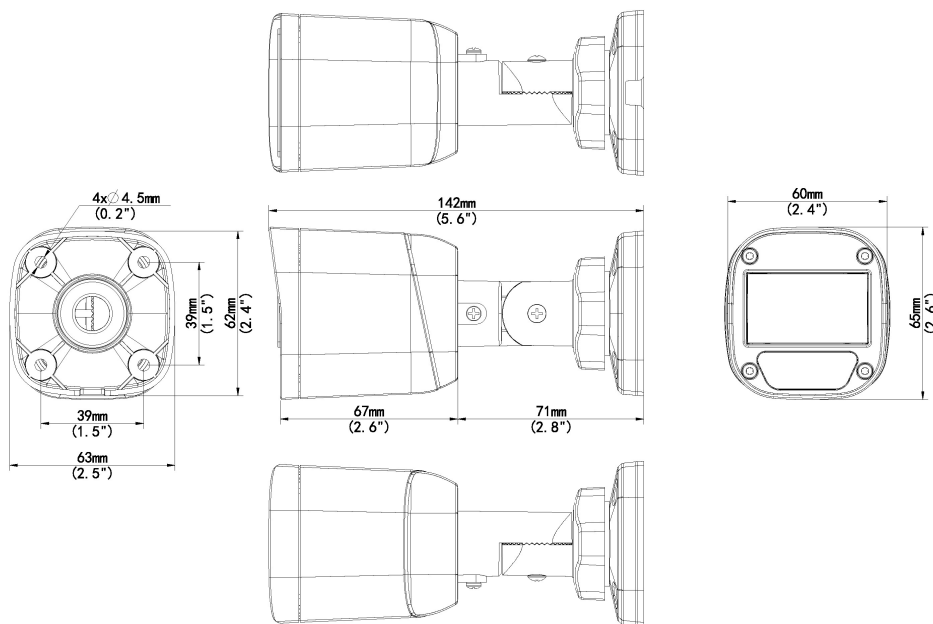
Power Source	DC 12V (adapter not included), plug size 2.1x5.5mm
Power Consumption	2.88 W (DC)
Weight	135g (0.30lb)
Dimensions	(L x W x H): 142mm x 63mm x 65mm (5.59" x 2.48" x 2.56")
Environmental Casing	Weatherproof (IP67)
Mount Type	Pole Mount, Corner Mount
Operating Temperature	-30°C ~ 60°C (-22°F ~ 140°F)
Operating Humidity	≤90% RH, non-condensing
Surge Protection	4KV
Approvals	CE Class B, FCC Class B, IP67
Material	Plastic
Real-time Clock (RTC)	No
Warranty	2 Year(s)

## ► Photo Indication



- 1 DC 12V Power Input
- 2 Analog Video Output Connector






## ► Dimension Diagram



Unit: mm [inch]

## ▶ Related Products

### Mounting Accessories - Camera Mount

PMAX-0128		Pendant Mount (for Z5x, Z724, Z85, Z86, Z87, Z810, Z972, Q550)
PMAX-0134		Extension Tube, 200 mm (for Z5x, Z724, Z85, Z86, Z87, Z810, Z972, Q550)
PMAX-0526		Pole Mount (for Z31, Z33, Z34, Z41, Z42)
PMAX-0538		Pole Mount (for Z3x, Z4x, Z5x, Z724, Z8x, Z9x, Z972, A7x, Q550, K3x, K5x, K7x) , supports 2.64" to 5" Poles
PMAX-0724		Junction Box (for Z33, Z34)

**Note:** Some mounting accessories may need additional accessories for installation. Please check [www.acti.com/mountingselector](http://www.acti.com/mountingselector) for more information.

### Power Supply Accessories - Power Adapter

PPBX-0013		Power Adapter AC 100~240V (EU), for A3x, A4x, A88, A9x, Z31, Z8x, Z9x
PPBX-0014		Power Adapter AC 100~240V (UK), for A3x, A4x, A88, A9x, Z31, Z8x, Z9x
PPBX-0026		Power Adapter AC 100~240V (US), for A3x, A4x, A7x, A88, A9x, Z3x, Z4x, Z7x, Z8x, Z9x