

# Z47

## 8MP Deep Learning AI 4.3x Zoom Bullet with IR LED 60m, WDR 130dB



- 8 Megapixel, 4.3x, Zoom Bullet
- Deep Learning AI
- IR LED 60m, Extreme WDR (130 dB)
- Color Min. Illumination 0.005 lux
- Smart Motion Detection, Smart Intrusion Protection
- Counting
- DORI (86.9-372.4 / 34.8-149.0 / 17.4-74.5 / 8.7-37.2m)
- Weatherproof (IP68), Vandal proof (IK10), UL Listed

### ► Specifications

#### Product Profile

Product Type	Zoom Bullet
Application Environment	Outdoor
Maximum Resolution	8MP
Image Sensor	Progressive Scan CMOS
Sensor Size	1/2.7 "
Day / Night	Yes
Low Light Sensitivity	Superior
Minimum Illumination	Color: 0.005 lux at F1.6 (AGC on); B/W: 0 lux (IR LED on)
Mechanical IR Cut Filter	Yes
IR LED	Adaptive IR LED x 3 (850 nm)
IR Working Distance	60m
Electronic Shutter	1-1/100000 second (manual mode); 1-1/100000 second (auto mode)
S/N Ratio	75 dB

#### Lens

Focal Length	Zoom, f2.8-12mm
--------------	-----------------

Aperture	F1.6-F3.3
Zoom Ratio	4.3x optical zoom
Zoom Application	Camera Installation
Focus	Auto focus
Lens Mount	Board mount
Horizontal Viewing Angle	99.8° - 31.1°
Vertical Viewing Angle	53.1° - 17.7°
Viewing Angle Adjustment	Pan: 0°-360°, Tilt: 0°-90°, Rotation: 0°-360°

## Video

Compression	H.265 Adaptive Stream, H.264 (Baseline/ Main/ High profile), MJPEG
Maximum Frame Rate vs. Resolution	20 fps at 3840 x 2160 30 fps at 3072 x 1728 30 fps at 2560 x 1440 30 fps at 1920 x 1080 30 fps at 1280 x 720 30 fps at 720 x 576 30 fps at 640 x 360 30 fps at 704 x 288 30 fps at 352 x 288
Multi-Streaming	Simultaneous triple streams
Digital Noise Reduction	2D + 3D DNR
Wide Dynamic Range	Extreme WDR (130 dB)
Image Orientation	Flip, Mirror, Rotation (Corridor mode)
Image Enhancement	White Balance, Backlight compensation (BLC), Brightness, Contrast, Sharpness, Automatic gain control (AGC), Defogging
Privacy Mask	4 configurable regions
Text Overlay	Yes
Built-in Analytics	Smart Motion Detection (People Detection, Vehicle Detection), People Detection, Vehicle Detection, Smart Intrusion Protection, Tampering Detection, People Line Crossing Detection, People Enter Area Detection, People Exit Area Detection, Vehicle Line Crossing Detection, Vehicle Enter Area Detection, Vehicle Exit Area Detection, Face Snapshot, Crowd Detection, People Flow Counting, People Density Counting

## Analytics

Deep Learning AI	2.0
------------------	-----

## Audio

Audio Type	2-way, Line-in, Line-out
------------	--------------------------

## Network

Network Protocol & Service	IPv4, TCP, UDP, DHCP, HTTP, HTTPS, DNS, DDNS, NTP, RTP, RTSP, RTCP, SMTP, FTP, IGMP, ICMP, ARP, UPnP, QoS, SNMP, IEEE 802.1X
Ethernet Port	1 x Ethernet (10/100 Base-T), RJ-45 pigtail connector
Security	IP address filtering, HTTPS encryption, Password protected user level

## Detection Range

Observation Range	Detection: 86.9m-372.4m Observation: 34.8m-149.0m Recognition: 17.4m-74.5m Identification: 8.7m-37.2m
-------------------	---

**Event**

Event Trigger	Video motion detection (4 regions), External device through digital input, Sound detection, Intelligent event detection
Event Response	E-mail notification with snapshots, Save video or snapshot to storage, Upload snapshot to FTP server, Activate external device through digital output

**Integration**

ONVIF Compliant	Yes, Profile S, Profile G, Profile T
Web Browser	IE 11, Google Chrome, Microsoft Edge, Firefox

**Interface**

Digital Input/Output	1/1 (Cable with Terminal block)
Operating Button	No

**General**

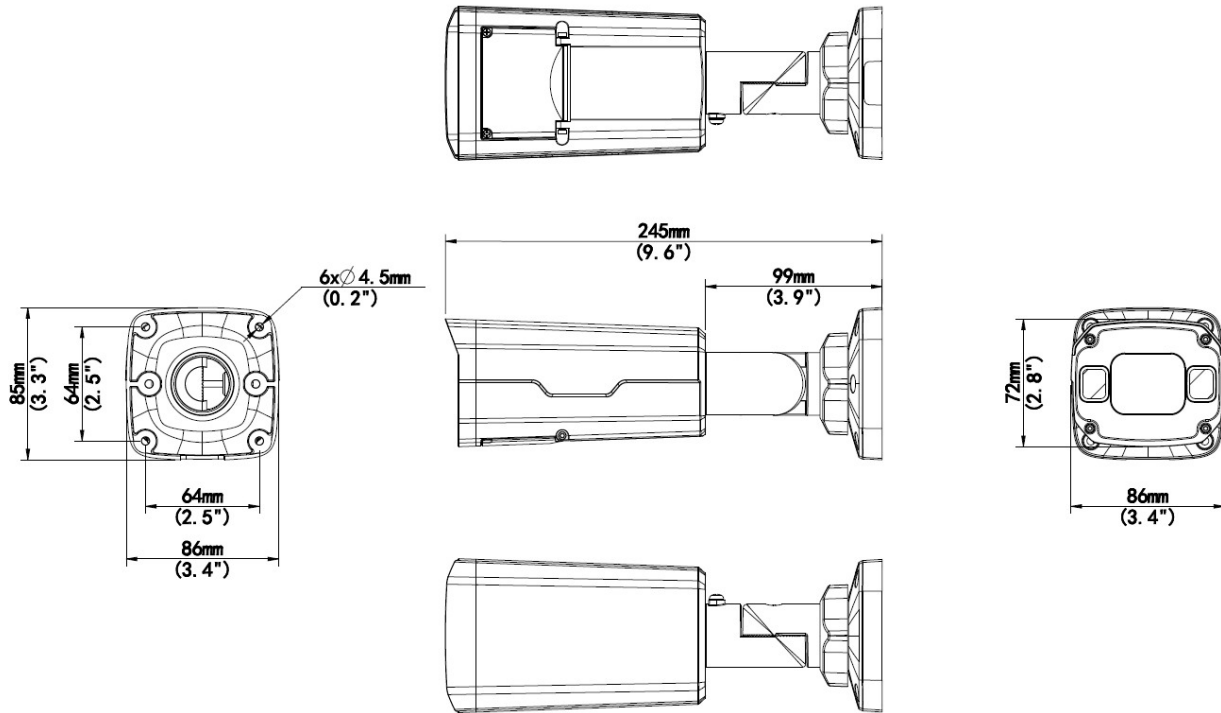
Power Source	DC 12V, PoE (IEEE802.3af)
Power Consumption	10.5 W (PoE)
Weight	970g (2.14lb)
Dimensions	(W x H x D): 86mm x 72mm x 245mm (3.4" x 2.8" x 9.6")
Environmental Casing	Weatherproof (IP68), Vandal proof metal casing (IK10)
Corrosion Protection	Optional for project request. Chassis corrosion resistance at the seashore approximately 3 years.
Operating Temperature	-30°C ~ 60°C (-22°F ~ 140°F)
Approvals	CE Class B, FCC Class B, IP68, IK10 (metal casing), UL Listed, BSMI
Color	White
Real-time Clock (RTC)	Yes
Warranty	2 Year(s). For extended warranty offering, see <a href="http://www.acti.com/support/warranty">http://www.acti.com/support/warranty</a>

### ► Photo Indication



- 1 DC 12V Power Input
- 2 Audio Input / Output
- 3 Digital Input / Output
- 4 Ethernet Port

### ► Dimension Diagram



Unit: mm [inch]

## ▶ Related Products

### Mounting Accessories - Camera Mount

PMAX-0725



Junction Box (for Z41, Z42)

**Note:** Some mounting accessories may need additional accessories for installation. Please check [www.acti.com/mountingselector](http://www.acti.com/mountingselector) for more information.

### Power Supply Accessories - Power Adapter

PPBX-0013



Power Adapter AC 100~240V (EU), for A3x, A4x, A88, A9x, Z31, Z8x, Z9x

PPBX-0014



Power Adapter AC 100~240V (UK), for A3x, A4x, A88, A9x, Z31, Z8x, Z9x

PPBX-0026



Power Adapter AC 100~240V (US), for A3x, A4x, A7x, A88, A9x, Z3x, Z4x, Z7x, Z8x, Z9x

### Power Supply Accessories - PoE Injector

PPOE-0107



High PoE Injector IEEE 802.3at compliant, AC 100~240V, with universal connectors (for A416, A418, B913, B923, B934, Q450, Q75, VMGB-60X, Z37, Z71, Z952)

### Network & Storage Peripherals - Data Switch

PPSW-0102



PLANET FGSD-1011HP 8-Port 802.3at PoE Switch (PoE Budget 120W)

PPSW-0108



8-Port Gigabit 802.3at Managed PoE Switch (PoE Budget 120W)

PPSW-0109



8-Port 802.3at Smart Managed PoE Switch (PoE Budget 120W)

PPSW-1101



PLANET GS-4210-24PL4C 24-Port Gigabit 802.3at Managed PoE Switch (PoE Budget 440W)

PPSW-1107



24-port 10/100/1000Mbps PoE, Smart Managed Gigabit Ethernet PoE Switch

PPSW-2105



4-Port 802.3at Smart Managed Gigabit PoE Switch

PPSW-3101



16-Port Gigabit 802.3at Managed PoE Switch (PoE Budget 240W)

PPSW-3103



16-Port 802.3at Smart Managed PoE Switch (PoE Budget 250W)

PPSW-3104



16-Port 802.3at Smart Managed PoE Switch (PoE Budget 250W)

PPSW-3402



16-Port 10/100/1000T 802.3bt PoE + 8-Port 10/100/1000T + 4-Port 10G SFP+ Managed Ethernet Switch

PPSW-4205



24-Port 10/100/1000T 802.3at PoE + 2-Port 100/1000X SFP Managed Switch (PoE Budget 300W)

### Illuminators - IR LED Illuminator

PLED-0210

