

Z38

2MP f2.8mm Fixed Bullet with IR LED 40m, WDR 120dB



- 2 Megapixel, f2.8mm, Fixed Bullet
- IR LED 40m, Superior WDR (120 dB)
- Weatherproof (IP68), Vandal proof (IK10), UL Listed

► Specifications

Product Profile

| | |
|--------------------------|--|
| Product Type | Fixed Bullet |
| Application Environment | Outdoor |
| Maximum Resolution | 2MP |
| Image Sensor | Progressive Scan CMOS |
| Sensor Size | 1/2.7 " |
| Day / Night | Yes |
| Low Light Sensitivity | Superior |
| Minimum Illumination | Color: 0.01 lux at F2.0 (AGC on); B/W: 0 (IR LED on) |
| Mechanical IR Cut Filter | Yes |
| IR LED | Adaptive IR LED x 1 (850 nm) |
| IR Working Distance | 40m |
| Electronic Shutter | 1-1/100000 second (manual mode); 1-1/100000 second (auto mode) |
| S/N Ratio | 75 dB |

Lens

| | |
|--------------|---------------------|
| Focal Length | Fixed focal, f2.8mm |
|--------------|---------------------|

| | |
|--------------------------|---|
| Aperture | F2.0 |
| Iris | Fixed iris |
| Focus | Fixed focus |
| Lens Mount | Board mount |
| Horizontal Viewing Angle | 102.1° |
| Vertical Viewing Angle | 56° |
| Viewing Angle Adjustment | Pan: 0°-360°, Tilt: 0°-90°, Rotation: 0°-360° |

Video

| | |
|-----------------------------------|--|
| Compression | H.265, H.264 (Baseline/ Main/ High profile), MJPEG |
| Maximum Frame Rate vs. Resolution | 30 fps at 1920 x 1080 30 fps at 1280 x 720 30 fps at 720 x 576 30 fps at 704 x 288 30 fps at 640 x 360 30 fps at 352 x 288 |
| Multi-Streaming | Simultaneous dual streams |
| Digital Noise Reduction | 2D + 3D DNR |
| Wide Dynamic Range | Superior WDR (120 dB) |
| Image Orientation | Flip, Mirror, Rotation (Corridor mode) |
| Image Enhancement | White Balance, Backlight compensation (BLC), Brightness, Contrast, Sharpness, Automatic gain control (AGC), Defogging |
| Privacy Mask | 4 configurable regions |
| Text Overlay | Yes |
| Built-in Analytics | Tampering Detection, Object Line Crossing Detection, Intrusion Detection (Forbidden Area Detection) |

Audio

| | |
|-------------------|----------------------------|
| Audio Type | 1-way, Built-in Microphone |
| Audio Compression | G.711 |

Network

| | |
|----------------------------|--|
| Network Protocol & Service | IPv4, TCP, UDP, DHCP, HTTP, HTTPS, DNS, DDNS, NTP, RTP, RTSP, RTCP, SMTP, FTP, IGMP, ICMP, ARP, UPnP, SNMP, QoS, SSL |
| Ethernet Port | 1 x Ethernet (10/100 Base-T), RJ-45 pigtail connector |
| Security | IP address filtering, HTTPS encryption, Password protected user level |

Event

| | |
|----------------|--|
| Event Trigger | Video motion detection (4 regions), Sound detection, Intelligent event detection |
| Event Response | E-mail notification with snapshots, Upload snapshot to FTP server, Save video or snapshot to storage |

Integration

| | |
|-----------------|---|
| Edge Recording | Support (integration with NVR by ONVIF Profile G) |
| ONVIF Compliant | Yes, Profile S, Profile G, Profile T |
| Web Browser | IE 11, Google Chrome, Microsoft Edge, Firefox |

Interface

| | |
|------------------|----|
| Operating Button | No |
|------------------|----|

General

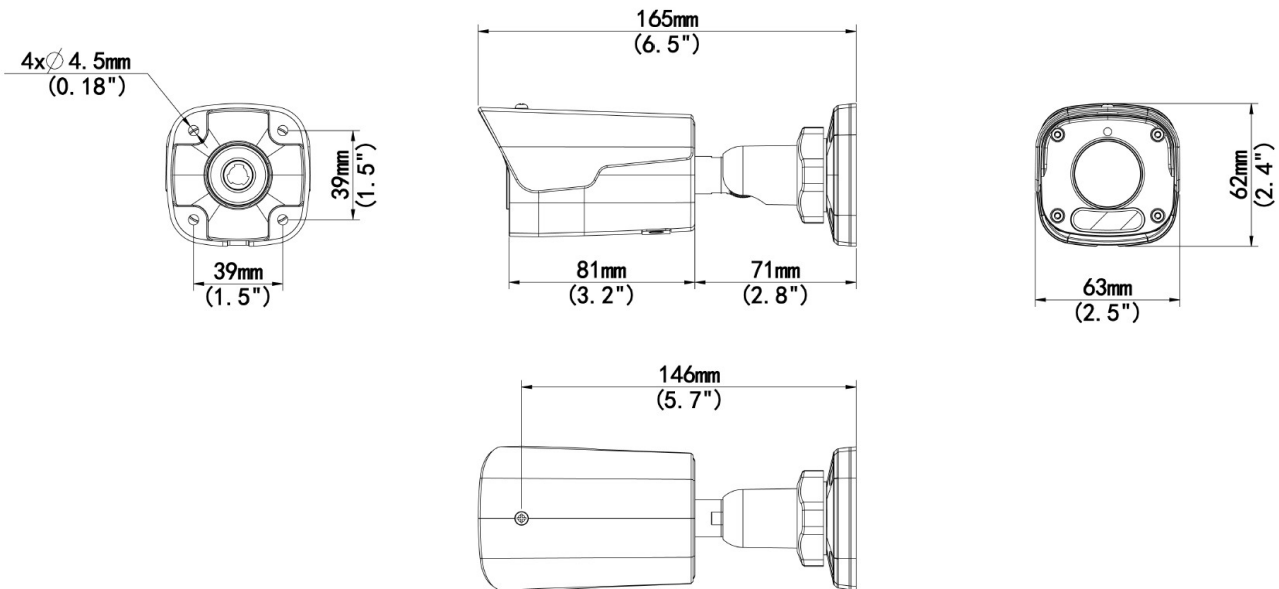
| | |
|-----------------------|--|
| Power Source | DC 12V, PoE (IEEE802.3af) |
| Power Consumption | 7 W (PoE) |
| Weight | 390g (0.860lb) |
| Dimensions | (W x H x D): 62mm x 63mm x 165mm (2.5" x 2.5" x 6.5") |
| Environmental Casing | Weatherproof (IP68), Vandal proof metal casing (IK10) |
| Corrosion Protection | Optional for project request. Chassis corrosion resistance at the seashore approximately 3 years. |
| Operating Temperature | -30°C ~ 60°C (-22°F ~ 140°F) |
| Operating Humidity | 10% - 95% RH, non-condensing |
| Approvals | CE Class B, FCC Class B, IP68, IK10 (metal casing), UL Listed |
| Real-time Clock (RTC) | No |
| Warranty | 2 Year(s). For extended warranty offering, see http://www.acti.com/support/warranty |

► Photo Indication



- 1 DC 12V Power Input
- 2 Ethernet Port
- 3 Built-in Microphone
- 4 Memory Card Slot

► Dimension Diagram



Unit: mm [inch]

► Related Products

Mounting Accessories - Camera Mount


PMAX-0526  Pole Mount (for Z31, Z33, Z34, Z41, Z42)

PMAX-0724  Junction Box (for Z33, Z34)

Note: Some mounting accessories may need additional accessories for installation. Please check www.acti.com/mountingselector for more information.


Power Supply Accessories - Power Adapter

PPBX-0013  Power Adapter AC 100~240V (EU), for A3x, A4x, A88, A9x, Z31, Z8x, Z9x

PPBX-0014  Power Adapter AC 100~240V (UK), for A3x, A4x, A88, A9x, Z31, Z8x, Z9x

PPBX-0026  Power Adapter AC 100~240V (US), for A3x, A4x, A7x, A88, A9x, Z3x, Z4x, Z7x, Z8x, Z9x

Power Supply Accessories - PoE Injector

PPOE-0107  High PoE Injector IEEE 802.3at compliant, AC 100~240V, with universal connectors (for A416, A418, B913, B923, B934, Q450, Q75, VMGB-60X, Z37, Z71, Z952)