

# Z82

## 4MP 4.4x Outdoor Zoom Turret with IR LED 30m, WDR 120dB



- 4 Megapixel, 4.4x, Zoom Turret
- IR LED 30m, Extreme WDR (120 dB)
- DORI (63-270 / 25.2-108 / 12.6-54 / 6.3-27m)
- Weatherproof (IP68), Vandal proof (IK10), UL Listed

### ► Specifications

#### Product Profile

Product Type	Zoom Turret
Application Environment	Outdoor
Maximum Resolution	4MP
Description	4MP Outdoor Zoom Dome with D/N, Adaptive IR, Extreme WDR, SLLS, 4.4x Zoom lens
Image Sensor	Progressive Scan CMOS
Sensor Size	1/3 "
Day / Night	Yes
Low Light Sensitivity	Superior
Minimum Illumination	Color: 0.02 lux; B/W: 0 lux (IR LED on)
Mechanical IR Cut Filter	Yes
IR LED	Adaptive IR LED
IR Working Distance	30m
S/N Ratio	75 dB

#### Lens

Focal Length	Zoom, f2.7-12mm
--------------	-----------------

Aperture	F1.4
Zoom Ratio	4.4x optical zoom
Zoom Application	Camera Installation
Focus	Auto focus
Lens Mount	Board mount
Horizontal Viewing Angle	91° - 27°
Vertical Viewing Angle	67.4° - 14.2°
Viewing Angle Adjustment	Pan: 0°-360°, Tilt: 15°-90°, Rotation: 0°-360°

## Video

Compression	H.265 Adaptive Stream, H.264 (Baseline/ Main/ High profile), MJPEG
Maximum Frame Rate vs. Resolution	20 fps at 2592 x 1520 25 fps at 2560 x 1440 30 fps at 2048 x 1520 30 fps at 1920 x 1080 30 fps at 720 x 576
Multi-Streaming	Simultaneous triple streams
Digital Noise Reduction	2D + 3D DNR
Wide Dynamic Range	Extreme WDR (120 dB)
Image Orientation	Flip, Mirror, Rotation (Corridor mode)
Image Enhancement	White Balance, Brightness, Saturation, Contrast, Sharpness, Automatic gain control (AGC), Defogging
Privacy Mask	8 configurable regions
Text Overlay	Yes
Built-in Analytics	Tampering Detection

## Audio

Audio Type	1-way, Built-in Microphone
------------	----------------------------

## Network

Network Protocol & Service	IPv4, TCP, UDP, DHCP, HTTP, HTTPS, DNS, DDNS, NTP, RTP, RTSP, RTCP, SMTP, FTP, IGMP, ICMP, ARP, UPnP, QoS, SNMP, IEEE 802.1X
Ethernet Port	1 x Ethernet (10/100 Base-T), RJ-45 pigtail connector

## Detection Range

Observation Range	Detection: 63m-270m Observation: 25.2m-108m Recognition: 12.6m-54m Identification: 6.3m-27m
-------------------	---

## Integration

ONVIF Compliant	Yes, Profile S
Web Browser	IE 11

## Interface

Operating Button	Reset Button
------------------	--------------

## General

Power Source	DC 12V, PoE Class 3 (IEEE802.3af)
Power Consumption	8.16 W (PoE)

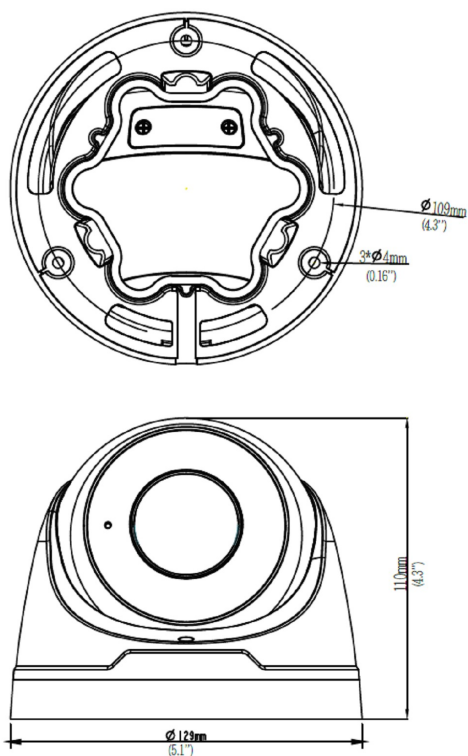
Weight	670g (1.48lb)
Dimensions	(Ø x H): 129mm x 110mm (5.08" x 4.3")
Environmental Casing	Weatherproof (IP68), Vandal proof (IK10)
Corrosion Protection	Optional for project request. Chassis corrosion resistance at the seashore approximately 3 years.
Operating Temperature	-40°C ~ 60°C (-40°F ~ 140°F)
Approvals	CE, FCC, EAC, IP68, IK10, UL Listed
Real-time Clock (RTC)	Yes
Warranty	2 Year(s). For extended warranty offering, see <a href="http://www.acti.com/support/warranty">http://www.acti.com/support/warranty</a>

## ► Photo Indication



- 1 Reset Button
- 2 DC12V Power Input Jack
- 3 Ethernet Port





## ► Dimension Diagram



Unit: mm [inch]

## ▶ Related Products

### Dome - Zoom Dome

K81		2MP Deep Learning AI 4.3x Outdoor Zoom Dome with IR LED 60m, WDR 130dB
K82		4MP Deep Learning AI 4.3x Outdoor Zoom Dome with IR LED 60m, WDR 130dB
K83		5MP Deep Learning AI 4.3x Outdoor Zoom Dome with IR LED 60m, WDR 130dB
Z86		4MP Outdoor Zoom Dome with D/N, Adaptive IR, Superior WDR, SLLS, 4.3x Zoom lens, f2.8-12mm/F1.6 (HOV:102.1°-30.7°), Auto Focus (for installation), H.265/H.264, 1440p/30fps, 2D+3D DNR, Built-in Microphone, PoE/DC12V, IP67, IK10 (metal casing)

### Mounting Accessories - Camera Mount


PMAX-0128		Pendant Mount (for Z5x, Z724, Z85, Z86, Z87, Z810, Z972, Q550)
PMAX-0134		Extension Tube, 200 mm (for Z5x, Z724, Z85, Z86, Z87, Z810, Z972, Q550)
PMAX-0366		Wall Mount with Built-in Junction Box (for Z9x, Z724, Z77, Z8x, Z972, A7X, Q550)
PMAX-0409		Corner Mount (for A7x, Z714, Z724, Z8x, Z9x, Z972, Q550, K3x, K5x, K7x)
PMAX-0532		Pole Mount (for Z5x, Z724, Z8x, Z9x, Z972, A7X, Q550), supports 2.6" to 5" Poles
PMAX-0538		Pole Mount (for Z3x, Z4x, Z5x, Z724, Z8x, Z9x, Z972, A7x, Q550, K3x, K5x, K7x), supports 2.64" to 5" Poles
PMAX-0736		Junction Box (for Z724, Z81, Z82, Z85, Z86, Z87, Z812, Z813, Z814, Z914, Z972, Q550)

**Note:** Some mounting accessories may need additional accessories for installation. Please check [www.acti.com/mountingselector](http://www.acti.com/mountingselector) for more information.

### Power Supply Accessories - Power Adapter

PPBX-0013		Power Adapter AC 100~240V (EU), for A3x, A4x, A88, A9x, Z31, Z8x, Z9x
PPBX-0014		Power Adapter AC 100~240V (UK), for A3x, A4x, A88, A9x, Z31, Z8x, Z9x
PPBX-0026		Power Adapter AC 100~240V (US), for A3x, A4x, A7x, A88, A9x, Z3x, Z4x, Z7x, Z8x, Z9x

### Power Supply Accessories - PoE Injector

PPOE-0107		High PoE Injector IEEE 802.3at compliant, AC 100~240V, with universal connectors (for A416, A418, B913, B923, B934, Q450, Q75, VMGB-60X, Z37, Z71, Z952)
-----------	---	--